

Sellos Mecánicos
Garnitures Mécaniques
Mechanical Seals
Gleitringdichtungen

390 S



Cartucho simple, equilibrado, muelles múltiples y sentido de rotación independiente.

Cartouche simple, équilibrée, ressorts multiples et sens de rotation indépendant.

Cartridge simple seal, balanced, multi-spring and independent on direction of rotation.

Einfache Cartridgedichtung, entlastet, mehrere Federn und drehrichtungsunabhängig.

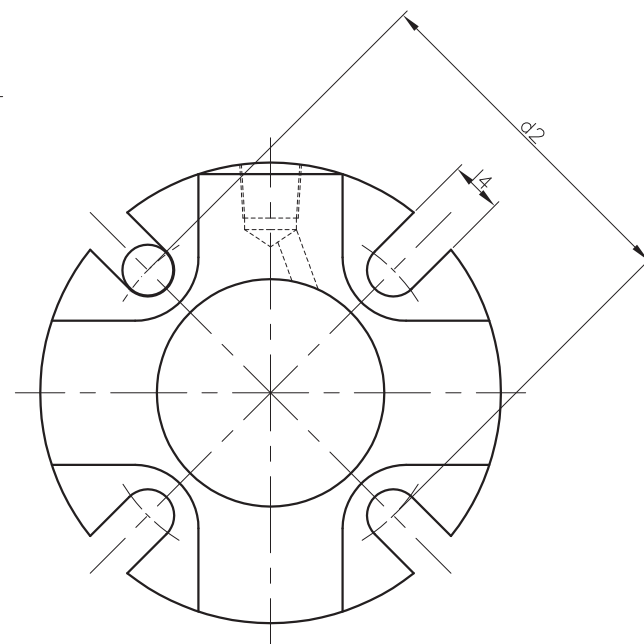
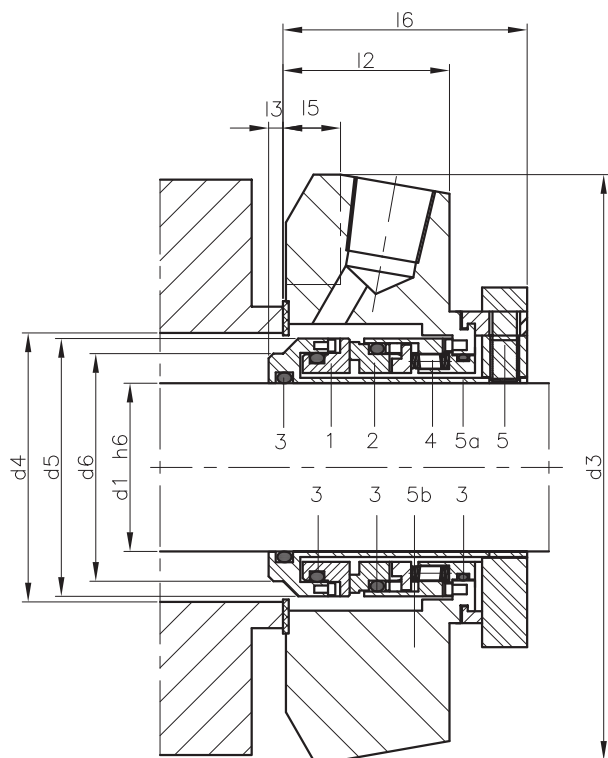
TABLA DIMENSIONAL (Dimensiones en mm. sujetas a variaciones o modificaciones)

TABLEAU DIMENSIONNEL (Dimensions en mm. sujettes à variations ou modifications)

Ref.	d ₁	d ₂	d ₃	d ₄ Min.	d ₄ Max.	d ₅	d ₆	l ₂	l ₃	l ₄	l ₅	l ₆
25	25	71.2	101.6	41.3	48.0	39.7	34.9	34.4	1.0	13.3	13.5	49.6
28	28	74.5	104.8	44.5	51.2	42.9	38.1	36.7	1.0	13.3	13.5	52.4
30	30	79.9	108.0	46.1	56.5	44.5	40.0	36.7	1.0	13.3	13.5	52.4
32	32	81.6	108.0	47.6	58.3	46.0	41.3	36.7	1.0	13.3	13.5	52.4
33	33	84.8	111.1	50.8	61.5	49.3	44.5	36.7	1.0	13.3	13.5	52.4
35	35	84.8	111.1	50.8	61.5	49.3	44.5	36.7	1.0	13.3	13.5	52.4
38	38	91.4	123.8	57.2	68.1	55.5	49.2	37.8	1.0	13.3	15.1	54.0
40	40	95.7	127.0	60.3	71.4	58.7	52.4	37.8	1.0	14.3	15.1	54.0
43	43	98.4	133.4	63.0	74.1	61.1	55.1	37.8	1.0	14.3	15.1	54.0
45	45	98.4	133.4	63.0	74.1	61.1	55.1	37.8	1.0	14.3	15.1	54.0
48	48	98.4	133.4	66.7	74.1	64.7	58.7	37.8	1.0	14.3	15.1	54.0
50	50	101.6	139.7	70.0	76.6	67.9	61.9	40.7	1.6	14.3	27.0	58.7
53	53	113.5	148.8	73.0	85.3	71.1	65.1	40.7	1.6	17.4	15.1	58.7
55	55	113.5	148.8	75.0	85.3	72.9	66.7	40.7	1.6	17.4	15.1	58.7
58	58	116.0	165.1	76.2	88.5	74.2	68.2	40.7	1.6	17.4	15.1	58.7
60	60	119.9	165.1	79.4	91.7	77.4	71.4	43.6	1.6	17.4	15.9	62.6
63	63	127.0	171.5	85.7	98.8	83.8	77.8	43.6	1.0	17.4	15.9	65.1
65	65	127.0	171.5	85.7	98.8	83.8	77.8	43.6	1.0	17.4	15.9	65.1
68	68	131.3	171.5	92.1	103.2	90.2	84.1	41.3	1.0	17.4	15.9	63.5
70	70	131.3	171.5	92.1	103.2	90.2	84.1	41.3	1.0	17.4	15.9	63.5
75	75	145.3	196.9	101.6	113.5	98.1	92.1	45.4	1.0	20.6	17.4	65.1
80	80	148.4	188.9	105.0	116.8	102.2	95.3	40.5	1.3	20.6	40.5	63.8
85	85	154.8	206.4	111.1	123.2	107.9	101.6	40.5	1.3	20.6	40.5	65.1
90	90	158.8	212.7	117.5	129.5	114.3	107.1	40.5	1.3	17.4	40.5	65.1
95	95	172.0	222.3	120.0	132.1	117.5	110.3	40.5	1.3	17.4	40.5	65.1
100	100	171.7	228.6	127.0	139.7	123.8	116.7	40.5	1.3	20.6	40.5	65.1
105	105	174.9	228.6	130.2	142.9	127.0	119.8	40.5	1.3	20.6	40.5	65.1
110	110	184.4	241.3	139.7	152.4	136.5	129.4	40.5	1.3	20.6	40.5	65.1
115	115	184.4	241.3	146.1	152.4	136.5	129.4	40.5	1.3	20.6	40.5	65.1
120	120	192.4	263.5	146.1	160.4	142.9	135.7	40.5	1.3	20.6	40.5	65.1
125	125	254.0	304.8	171.7	184.4	155.6	148.4	44.4	1.3	20.6	44.4	77.3
130	130	260.4	311.2	178.1	190.8	161.9	154.8	44.4	1.3	20.6	44.4	77.3
135	135	266.7	322.3	190.5	203.2	168.3	161.1	44.4	1.3	23.8	44.4	77.3
140	140	266.7	322.3	190.5	203.2	168.3	161.1	44.4	1.3	23.8	44.4	77.3

DIMENSIONS TABLE (Measures in mm. subject to change)

TABELLE DER ABMESSUNGEN (In mm. Abweichungen oder Änderungen vorbehalten)



LÍMITES OPERATIVOS / LIMITES D'UTILISATION / OPERATING LIMITS / EINSATZGRENZEN

$d_1 = 25 \div 140 \text{ mm}$

$p/d = 20 \text{ Kg/cm}^2$

$v/g = 25 \text{ m/s}$

$t = -20 \div +200^\circ\text{C}$

Los límites operativos vienen condicionados por el factor PV
 Les limites d'utilisation ci-dessus peuvent varier en fonction du facteur PV
 The operating limits depend on the PV factor
 Die Einsatzgrenzen werden durch den DG-Faktor festgelegt

MATERIALES / MATÉRIAUX / MATERIALS / MATERIALIEN

QBEGG	QQEGG
QBPGG	QQPPG
QBVGG	QQVGG
QBKGG	QQKGG
QBMGG	QQMGG

Existen otras combinaciones de materiales
 Il existe d'autres combinaisons de matériaux
 Available in other materials
 Es gibt andere Materialkombinationen

COMPONENTES / CONSTRUCTION / COMPONENTS / KOMPONENTEN

1 Cara de roce rotante / Grain mobile / Rotative face / Rotierende Gleitfläche

2 Cara de roce fija / Grain stationnaire / Stationary face / Stationäre Gleitfläche

3 Junta tórica / Joint torique / O-ring

4 Muelle / Ressort / Spring / Feder

5 Tornillo de fijación / Vis d'attache / Set screw / Befestigungsschraube

5a Armadura metálica / Corps / Metal frame / Metallgestell

5b Brida / Bride / Flange / Flansch