

Cartucho simple, equilibrado, muelles múltiples y sentido de rotación independiente.

Cartouche simple, équilibrée, ressort multiple et sens rotation indépendant.

Cartridge simple seal, balanced, multi-spring and independent on direction of rotation.

Einfache Cartridgedichtung, entlastet, mehrere Federn und drehrichtungsunabhängig.

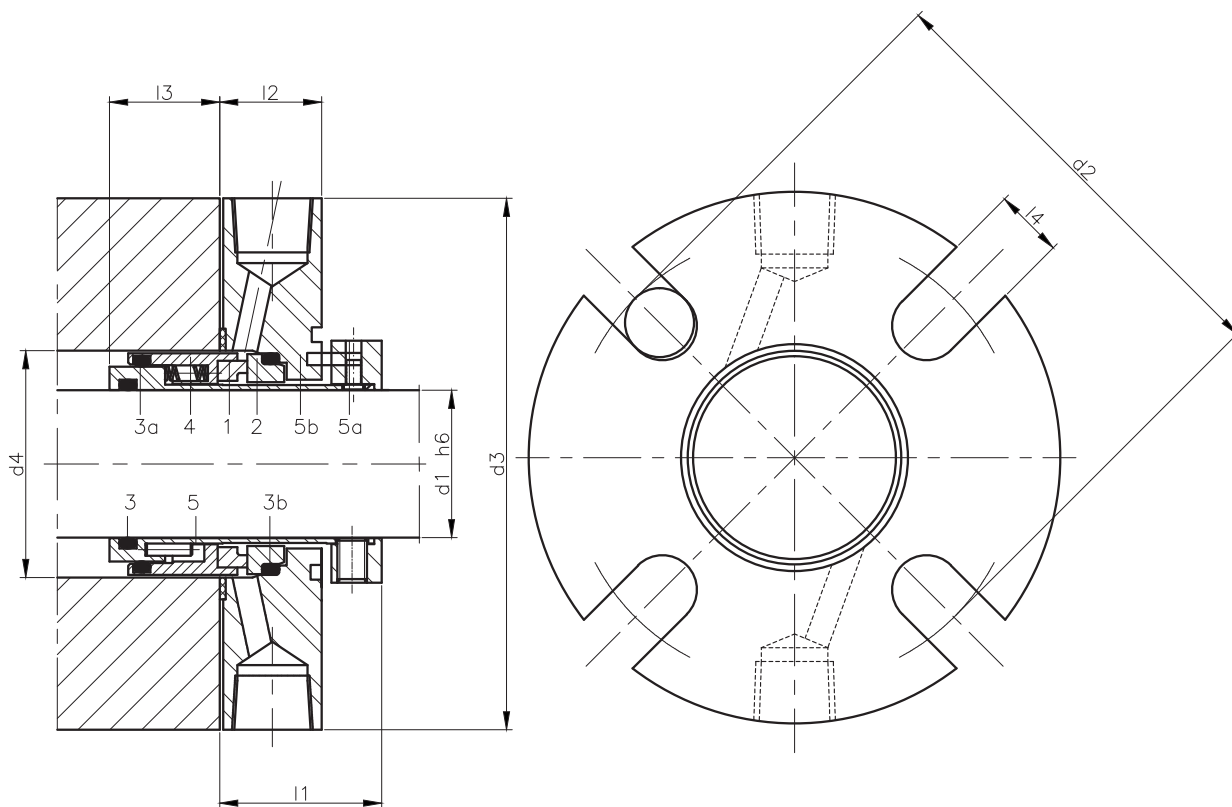
TABLA DIMENSIONAL (Dimensiones en mm. sujetas a variaciones o modificaciones)

TABLEAU DIMENSIONNEL (Dimensions en mm. sujettes à variations ou modifications)

| Ref. | d ₁ | d _{2 min} | d _{2 max} | d ₃ | d _{4 min} | d _{4 max} | l ₁ | l ₂ | l ₃ | l ₄ |
|------|----------------|--------------------|--------------------|----------------|--------------------|--------------------|----------------|----------------|----------------|----------------|
| 25 | 25 | 68.0 | 80.0 | 103.9 | 44.0 | 50.0 | 40.9 | 25.4 | 34.5 | 12.5 |
| 28 | 28 | 70.0 | 93.0 | 107.2 | 47.0 | 52.0 | 40.9 | 25.4 | 34.5 | 12.5 |
| 30 | 30 | 73.0 | 86.0 | 110.2 | 49.0 | 56.0 | 40.9 | 25.4 | 34.5 | 12.5 |
| 32 | 32 | 73.0 | 86.0 | 110.2 | 51.0 | 56.0 | 40.9 | 25.4 | 34.5 | 12.5 |
| 33 | 33 | 73.0 | 86.0 | 110.2 | 51.0 | 56.0 | 40.9 | 25.4 | 34.5 | 12.5 |
| 35 | 35 | 76.0 | 89.0 | 113.5 | 54.0 | 59.0 | 40.9 | 25.4 | 34.5 | 12.5 |
| 38 | 38 | 81.0 | 102.0 | 126.2 | 57.0 | 63.0 | 40.9 | 25.4 | 34.5 | 12.5 |
| 40 | 40 | 86.0 | 100.0 | 126.2 | 59.0 | 66.0 | 40.9 | 25.4 | 34.5 | 14.7 |
| 43 | 43 | 89.0 | 112.0 | 138.9 | 63.0 | 69.0 | 40.9 | 25.4 | 34.5 | 14.7 |
| 45 | 45 | 89.0 | 112.0 | 138.9 | 65.0 | 69.0 | 40.9 | 25.4 | 34.5 | 14.7 |
| 48 | 48 | 92.0 | 112.0 | 138.9 | 67.0 | 72.0 | 40.9 | 25.4 | 34.5 | 14.7 |
| 50 | 50 | 95.0 | 112.0 | 138.9 | 69.0 | 75.0 | 40.9 | 25.4 | 34.5 | 14.7 |
| 53 | 53 | 102.0 | 119.0 | 151.6 | 73.0 | 79.0 | 40.9 | 25.4 | 34.5 | 17.5 |
| 55 | 55 | 104.0 | 125.0 | 158.0 | 75.0 | 81.0 | 40.9 | 25.4 | 34.5 | 17.5 |
| 58 | 58 | 104.0 | 125.0 | 158.0 | 77.0 | 81.0 | 40.9 | 25.4 | 34.5 | 17.5 |
| 60 | 60 | 108.0 | 125.0 | 158.0 | 80.0 | 86.0 | 40.9 | 25.4 | 34.5 | 17.5 |
| 63 | 63 | 111.0 | 132.0 | 164.3 | 83.0 | 89.0 | 47.7 | 28.6 | 40.2 | 17.5 |
| 65 | 65 | 117.0 | 161.0 | 193.7 | 89.0 | 95.0 | 47.7 | 28.6 | 40.2 | 17.5 |
| 68 | 68 | 120.0 | 164.0 | 196.9 | 93.0 | 98.0 | 47.7 | 28.6 | 40.2 | 17.5 |
| 70 | 70 | 122.0 | 167.0 | 200.0 | 95.0 | 100.0 | 47.7 | 28.6 | 40.2 | 17.5 |
| 75 | 75 | 127.0 | 170.0 | 203.2 | 100.0 | 105.0 | 47.7 | 28.6 | 40.2 | 17.5 |
| 80 | 80 | 131.0 | 173.0 | 206.4 | 104.0 | 109.0 | 47.7 | 28.6 | 40.2 | 17.5 |
| 85 | 85 | 143.0 | 179.0 | 212.7 | 110.0 | 118.0 | 47.7 | 28.6 | 40.2 | 20.5 |
| 90 | 90 | 185.0 | 185.0 | 219.1 | 115.0 | 123.0 | 47.7 | 28.6 | 40.2 | 20.5 |
| 95 | 95 | 153.0 | 189.0 | 222.3 | 120.0 | 128.0 | 47.7 | 28.6 | 40.2 | 20.5 |
| 100 | 100 | 158.0 | 195.0 | 228.6 | 126.0 | 133.0 | 47.7 | 28.6 | 40.2 | 20.5 |

DIMENSIONS TABLE (Measures in mm. subject to change)

TABELLE DER ABMESSUNGEN (In mm. Abweichungen oder Änderungen vorbehalten)



LÍMITES OPERATIVOS / LIMITES D'UTILISATION / OPERATING LIMITS / EINSATZGRENZEN

$d_1 = 25 \div 125 \text{ mm}$

$p/d = 25 \text{ Kg/cm}^2$

$v/g = 20 \text{ m/s}$

$t = -40 \div +200^\circ\text{C}$

Los límites operativos vienen condicionados por el factor PV

Les limites d'utilisation ci-dessus peuvent varier en fonction du facteur PV

The operating limits depend on the PV factor

Die Einsatzgrenzen werden durch den DG-Faktor festgelegt

MATERIALES / MATÉRIAUX / MATERIALS / MATERIALIEN

| | |
|-------|--------|
| OBEGG | OOEGG |
| OBPGG | OOPPGG |
| OBVGG | OOVGG |
| OBKGG | OOKGG |
| OBMGG | OOMGG |

Existen otras combinaciones de materiales
Il existe d'autres combinaisons de matériaux
Available in other materials
Es gibt andere Materialkombinationen

COMPONENTES / CONSTRUCTION / COMPONENTS / KOMPONENTEN

1 Cara de roce rotante / Grain mobile /
Rotative face / Rotierende Gleitfläche

2 Cara de roce fija / Grain stationnaire /
Stationary face / Stationäre Gleitfläche

3 Junta tórica / Joint torique /
O-ring

3a Junta tórica / Joint torique /
O-ring

3b Junta tórica / Joint torique /
O-ring

4 Muelle / Ressort /
Spring / Feder

5c Armadura metálica / Corps /
Metal frame / Metallgestell

5a Tornillo de fijación / Vis d'attache /
Set screw / Befestigungsschraube

5b Brida / Bride /
Flange / Flansch