

Sellos Mecánicos  
Garnitures Mécaniques  
Mechanical Seals  
Gleitringdichtungen

108 / 109



Sello mecánico no equilibrado, muelle simple, sentido de rotación dependiente.  
Garniture mécanique non équilibrée, ressort simple, sens de rotation dépendant.  
Unbalanced mechanical seal, single spring, dependent on direction of rotation.  
Nicht entlastete Gleitringdichtung, einfache Feder, drehrichtungsabhängig.

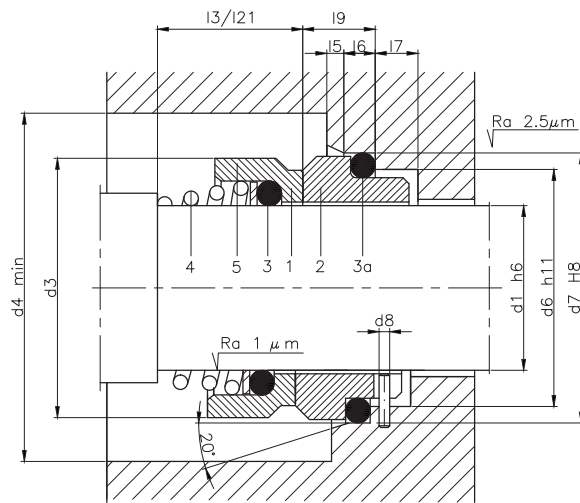
TABLA DIMENSIONAL (Dimensiones en mm. sujetas a variaciones o modificaciones)

TABLEAU DIMENSIONNEL (Dimensions en mm. sujettes à variations ou modifications)

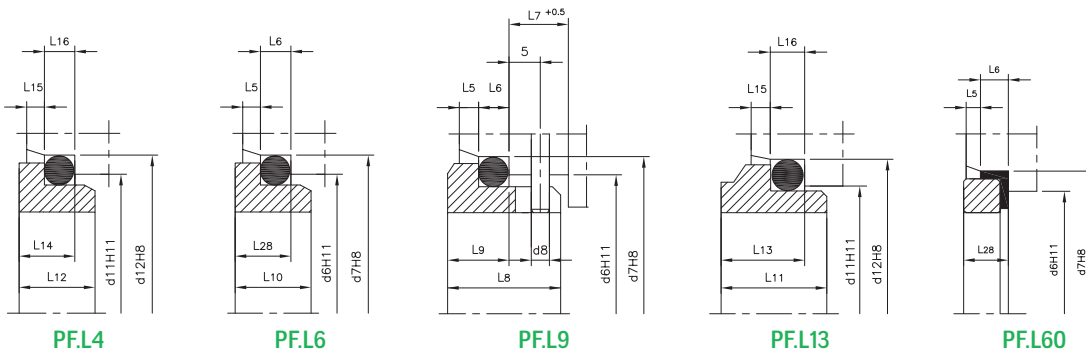
Ref.	d <sub>1</sub>	d <sub>3</sub>	d <sub>4</sub>	d <sub>6</sub>	d <sub>7</sub>	d <sub>8</sub>	d <sub>11</sub>	d <sub>12</sub>	l <sub>3</sub>	l <sub>5</sub>	l <sub>6</sub>	l <sub>7</sub>	l <sub>8</sub>	l <sub>9</sub>	l <sub>10</sub>	l <sub>11</sub>	l <sub>12</sub>	l <sub>13</sub>	l <sub>14</sub>	l <sub>15</sub>	l <sub>16</sub>	l <sub>21</sub>	l <sub>28</sub>
10	10	19	24	17	21	3	15.5	19.2	15.5	1.5	4	8.5	17.5	10.0	7.5	9.0	7.5	7.1	6.6	1.2	3.8	15.5	6.6
12	12	21	26	19	23	3	17.5	21.6	16.0	1.5	4	8.5	17.5	10.0	7.5	10.0	6.5	7.6	5.6	1.2	3.8	15.5	6.6
14	14	23	28	21	25	3	20.5	24.6	16.5	1.5	4	8.5	17.5	10.0	7.5	10.0	6.5	7.6	5.6	1.2	3.8	15.5	6.6
15	15	24	29	--	--	--	20.5	24.6	--	--	--	--	--	--	11.0	7.5	8.6	6.6	1.2	3.8	15.5	--	
16	16	26	31	23	27	3	22.0	28.0	18.0	1.5	4	8.5	17.5	10.0	7.5	11.5	8.5	9.0	7.5	1.5	5.0	17.5	6.6
18	18	29	34	27	33	3	24.0	30.0	19.5	2.0	5	9.0	19.5	11.5	8.5	12.5	9.0	10.0	8.0	1.5	5.0	18.5	7.5
20	20	31	36	29	35	3	29.5	35.0	22.0	2.0	5	9.0	19.5	11.5	8.5	12.5	8.5	9.5	7.5	1.5	5.0	20.0	7.5
22	22	33	38	31	37	3	29.5	35.0	21.5	2.0	5	9.0	19.5	11.5	8.5	12.5	8.5	9.5	7.5	1.5	5.0	21.5	7.5
24	24	35	40	33	39	3	32.0	38.0	23.5	2.0	5	9.0	19.5	11.5	8.5	12.5	8.5	9.5	7.5	1.5	5.0	23.0	7.5
25	25	36	41	34	40	3	32.0	38.0	26.5	2.0	5	9.0	19.5	11.5	8.5	12.5	8.5	9.5	7.5	1.5	5.0	24.5	7.5
26	26	37	42	--	--	--	34.0	40.0	--	--	--	9.0	--	--	13.0	9.0	10.0	8.0	1.5	5.0	24.5	--	
28	28	40	45	37	43	3	36.0	42.0	26.5	2.0	5	9.0	19.5	11.5	8.5	14.0	10.0	11.0	9.0	1.5	5.0	24.5	7.5
30	30	43	48	39	45	3	39.2	45.0	26.5	2.0	5	9.0	19.5	11.5	8.5	14.0	11.5	11.0	10.5	1.5	5.0	24.5	7.5
32	32	46	51	42	48	3	42.2	48.0	28.5	2.0	5	9.0	19.5	11.5	8.5	14.0	11.5	11.0	10.5	1.5	5.0	28.0	7.5
33	33	47	52	42	48	3	--	--	28.5	2.0	5	9.0	19.5	11.5	8.5	--	12.0	--	--	--	--	--	7.5
35	35	49	54	44	50	3	46.2	52.0	28.5	2.0	5	9.0	19.5	11.5	8.5	14.5	12.0	11.5	11.0	1.5	5.0	28.0	7.5
38	38	53	58	49	56	4	49.2	55.0	33.5	2.0	6	9.0	22.0	14.0	10.0	14.5	11.3	11.5	10.3	1.5	5.0	31.0	9.0
40	40	56	61	51	58	4	52.2	58.0	36.0	2.0	6	9.0	22.0	14.0	10.0	14.5	11.8	11.5	10.8	1.5	5.0	34.0	9.0
42	42	59	64	--	--	--	53.3	62.0	--	--	--	9.0	--	--	17.0	13.2	14.3	12.0	2.0	6.0	35.0	--	
43	43	59	64	54	61	4	--	--	38.5	2.0	6	9.0	22.0	14.0	10.0	--	13.2	--	--	2.0	--	--	9.0
45	45	61	66	56	63	4	55.3	64.0	39.5	2.0	6	9.0	22.0	14.0	10.0	17.0	12.8	14.3	11.6	2.0	6.0	36.5	9.0
48	48	64	69	59	66	4	59.7	68.4	46.0	2.0	6	9.0	22.0	14.0	10.0	17.0	12.8	14.3	11.6	2.0	6.0	42.0	9.0
50	50	66	71	62	70	4	60.8	69.3	45.0	2.5	6	9.0	23.0	15.0	10.5	17.0	12.8	14.3	11.6	2.0	6.0	43.0	9.5
53	53	69	74	65	73	4	--	--	47.0	2.5	6	9.0	23.0	15.0	12.0	--	13.5	--	--	--	--	--	11.0
55	55	71	76	67	75	4	66.5	75.4	49.0	2.5	6	9.0	23.0	15.0	12.0	18.0	14.5	15.3	13.3	2.0	6.0	47.0	11.0
58	58	76	81	70	78	4	69.5	78.4	55.0	2.5	6	9.0	23.0	15.0	12.0	18.0	14.5	15.3	13.3	2.0	6.0	50.0	11.0
60	60	78	83	72	80	4	71.5	80.4	55.0	2.5	6	9.0	23.0	15.0	12.0	18.0	14.5	15.3	13.3	2.0	6.0	51.0	11.0
63	63	83	88	75	83	4	--	--	55.0	2.5	6	9.0	23.0	15.0	12.0	--	14.2	--	--	--	--	--	11.0
65	65	84	89	77	85	4	76.5	85.4	55.0	2.5	6	9.0	23.0	15.0	12.0	18.0	14.2	15.3	13.0	2.0	6.0	52.0	11.0
68	68	88	93	81	90	4	82.7	91.5	55.0	2.5	7	9.0	26.0	18.0	12.5	19.0	14.9	16.0	13.7	2.0	6.0	53.0	11.3
70	70	90	95	83	92	4	83.0	92.0	57.0	2.5	7	9.0	26.0	18.0	12.5	18.0	14.2	15.3	13.0	2.0	6.0	54.0	11.3
75	75	98	103	88	97	4	90.2	99.0	62.0	2.5	7	9.0	26.0	18.0	12.5	18.0	15.2	15.3	14.0	2.0	6.0	55.0	11.3
80	80	100	105	95	105	4	95.2	104.0	61.8	3.0	7	9.0	26.2	18.2	13.0	19.0	16.2	16.3	15.0	2.0	6.0	58.0	12.0

DIMENSIONS TABLE (Measures in mm. subject to change)

TABELLE DER ABMESSUNGEN (In mm. Abweichungen oder Änderungen vorbehalten)



## Tipos de Partes Fijas / Profils de Grains Fixes / Types of Stationary Seat / Typen stationärer Teile



Tipo/Type/Typ 108: longitud de la parte rotativa  $l_3$  / longueur de montage de la partie tournante  $l_3$   
axial fitting length of rotating part  $l_3$  / Montagelänge des rotierende Teils  $l_3$

Tipo/Type/Typ 109: longitud de montaje de la parte rotativa  $l_2$  / longueur de montage de la partie tournante  $l_2$   
axial fitting length of rotating part  $l_2$  / Montagelänge des rotierende Teils  $l_2$

## LÍMITES OPERATIVOS / LIMITES D'UTILISATION / OPERATING LIMITS / EINSATZGRENZEN

$d_1$  = 10 ÷ 80 mm

$p/d$  = 10 Kg/cm<sup>2</sup>

$v/g$  = 20 m/s

$t$  = -20 ÷ +200°C

Los límites operativos vienen condicionados por el factor PV  
Les limites d'utilisation ci-dessus peuvent varier en fonction du facteur PV  
The operating limits depend on the PV factor  
Die Einsatzgrenzen werden durch den DG-Faktor festgelegt

## MATERIALES / MATÉRIAUX / MATERIALS / MATERIALIEN

BGEGG	BVEGG	UBPGG
BGPGG	BVPGG	UBVGG
BGVGG	BVGGG	UBEGG
BGMGG	BVMGG	UBMGG
BQEGG	QQEGG	UUEGG
BQPGG	QQPGG	UUPGG
BQVGG	QQVGG	UUVGG
BQMGG	QQMGG	UUMGG

Existen otras combinaciones de materiales  
Il existe d'autres combinaisons de matériaux  
Available in other materials  
Es gibt andere Materialkombinationen

## COMPONENTES / CONSTRUCTION / COMPONENTS / KOMPONENTEN

- 1 Cara de roce rotante / Grain mobile / Rotative face / Rotierende Gleitfläche
- 2 Cara de roce fija / Grain stationnaire / Stationary face / Stationäre Gleitfläche
- 3 Junta tórica / Joint torique / O-ring
- 3a Junta tórica / Joint torique / O-ring
- 4 Muelle / Ressort / Spring / Feder
- 5 Armadura metálica / Corps Metal frame / Metallgestell