

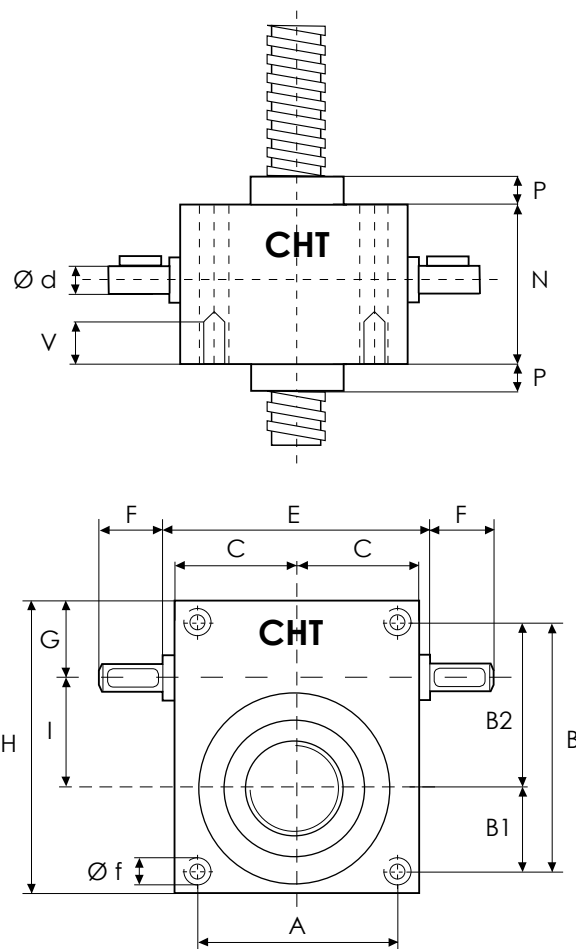
# **MECHANICAL WORM SCREW JACKS**

**NEWS SERIES CHS 6 | 7 | 8**



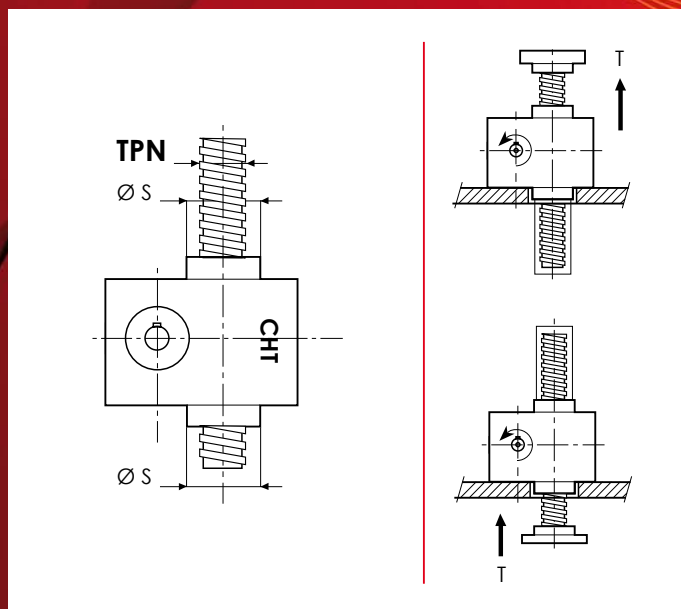
# SERIES CHS 6 TS · TRANSLATING SCREW

SCREW JACK MODEL		CHS 6
LOAD	daN (Kg)	15000
TPN SCREW	DIAMETER mm PITCH mm	60 9
GEAR RATIOS	FAST SPEED NORMAL SPEED SLOW SPEED	5:1 10:1 30:1
STROKE FOR INPUT REV.	FAST SPEED NORMAL SPEED SLOW SPEED	1,80 0,90 0,30
EFFICIENCY	FAST SPEED NORMAL SPEED SLOW SPEED	19,3% 18,0% 16,5%
JACK WEIGHT (Kg)		29
SCREW WEIGHT TPN X 100 mm (Kg)		2
CASE MATERIAL		G25
GREASE QTY (Kg)		1
GREASE TYPE	AGIP GR MU EP2	
OPERATING TEMPERATURE	-5° C +80° C	

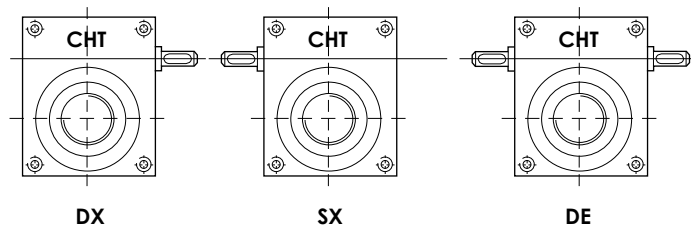


## TRANSLATING SCREW

SERIES CHS 6 TS - 15000 daN · TPN 60x9

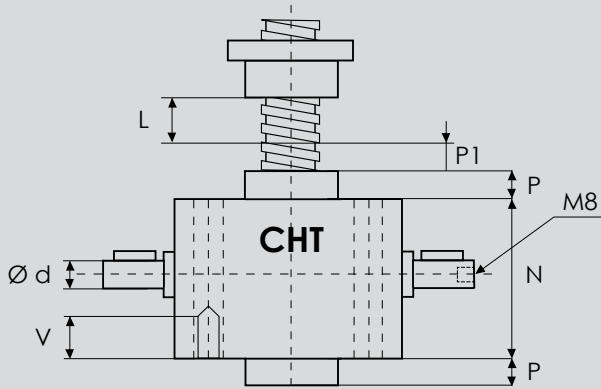


	A	B	B1	B2	C	E	F	G	H
CHS6	134	175	60	115	87,5	-	47,5	68	216
	I	N	P	P1	V	$\varnothing d$	$\varnothing f$	$\varnothing s$	TPN
CHS6	70	150	40	25	40	25	M20	90	60x9

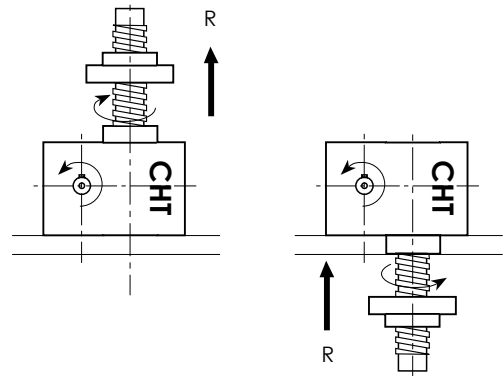
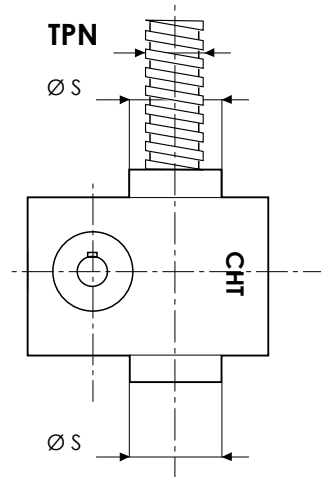
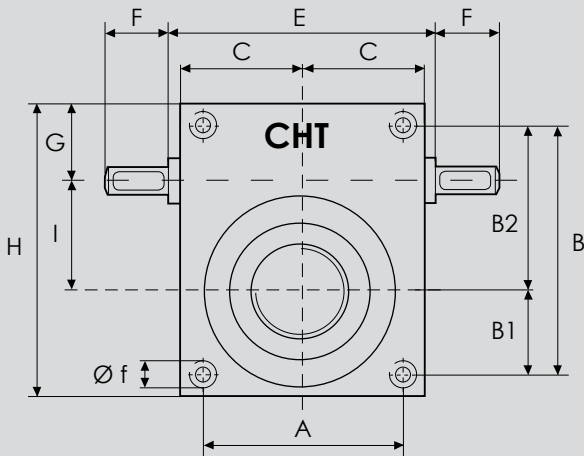




# SERIES CHS 6 RS · ROTATING SCREW



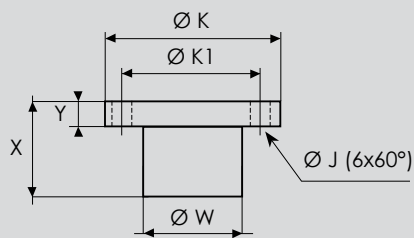
L = CORSA



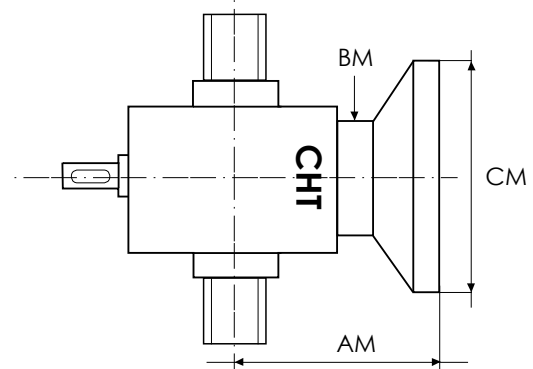
## ROTATING SCREW

## MOTOR ADAPTOR

### BRONZE NUT

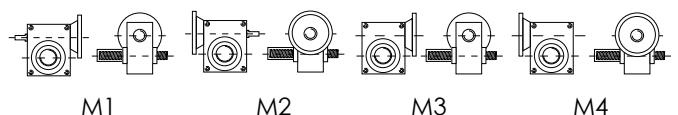


	X	Y	ØW	ØK	ØK1	ØJ
<b>CHS6</b>	120	25	80	110	92	10,5



MOTOR	FLANGE TYPE	CM	AM	BM
<b>GR. 80</b>	B5	200	140	108
	B14	120		
<b>GR. 90</b>	B5	200	140	108
	B14	140		
<b>GR. 100/112</b>	B5	250	140	108
	B14	160		

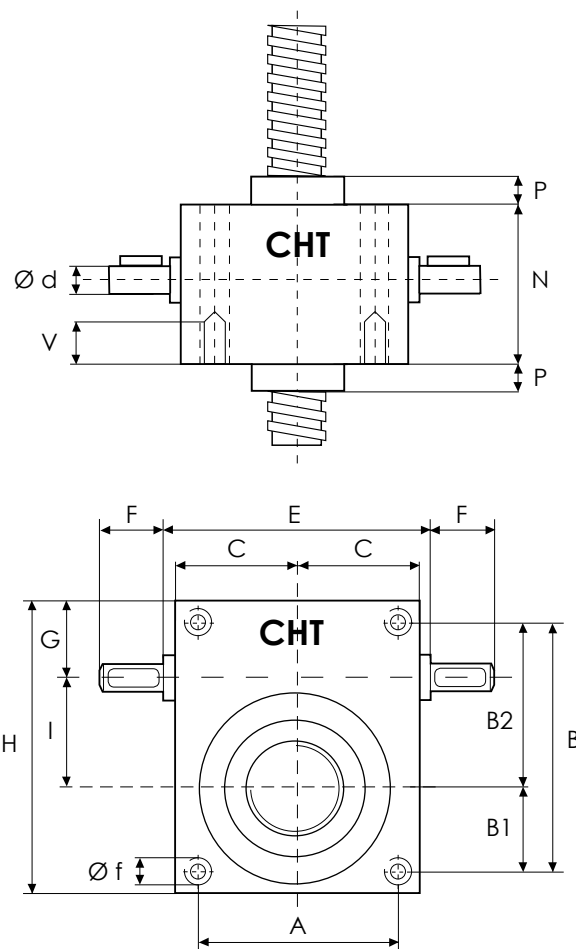
### CONFIGURATION





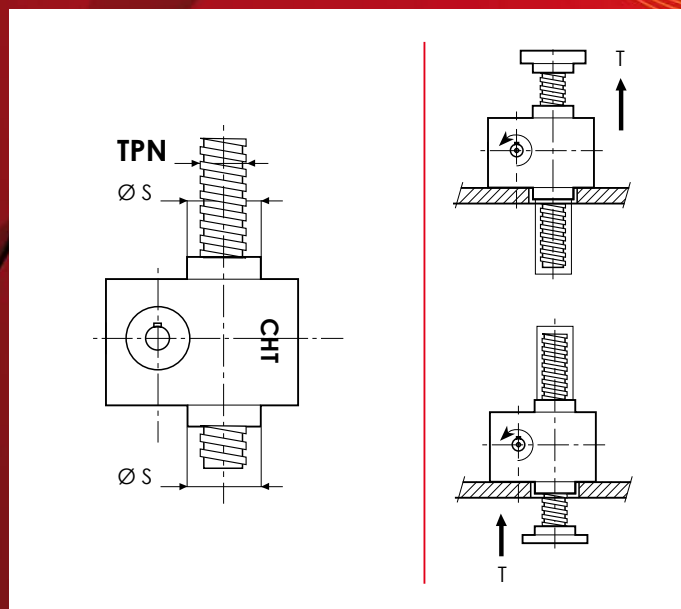
# SERIES CHS 7 TS · TRANSLATING SCREW

SCREW JACK MODEL		CHS 7
LOAD	daN (Kg)	20000
TPN SCREW	DIAMETER mm PITCH mm	70 10
GEAR RATIOS	FAST SPEED NORMAL SPEED SLOW SPEED	5:1 10:1 30:1
STROKE FOR INPUT REV. mm	FAST SPEED NORMAL SPEED SLOW SPEED	2 1 0,33
EFFICIENCY	FAST SPEED NORMAL SPEED SLOW SPEED	18,5% 17,5% 16%
JACK WEIGHT (Kg)		54
SCREW WEIGHT TPN X 100 mm (Kg)		2,8
CASE MATERIAL		G25
GREASE QTY (Kg)		1,5
GREASE TYPE	AGIP GR MU EP2	
OPERATING TEMPERATURE	-5° C +80° C	

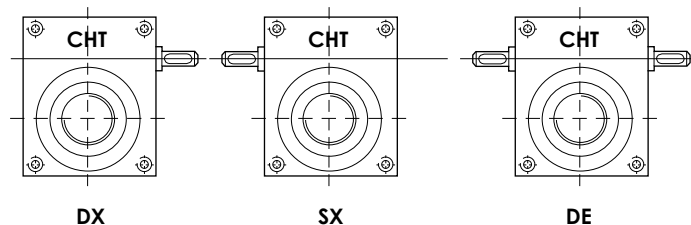


## TRANSLATING SCREW

SERIES CHS 7 TS - 20000 daN · TPN 70x10

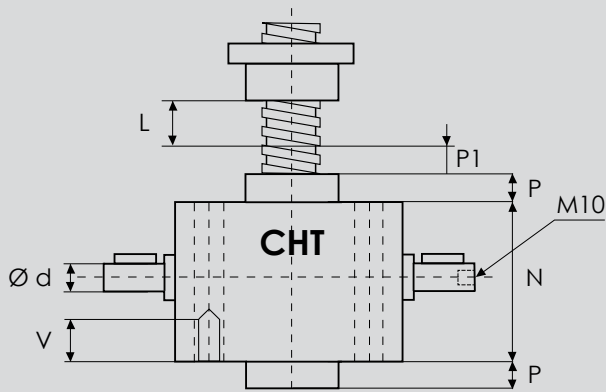


	A	B	B1	B2	C	E	F	G	H
CHS7	180	230	90	140	116	-	60	76	282
	I	N	P	P1	V	$\varnothing d$	$\varnothing f$	$\varnothing s$	TPN
CHS7	90	176	40	30	45	30	M30	120	70x10

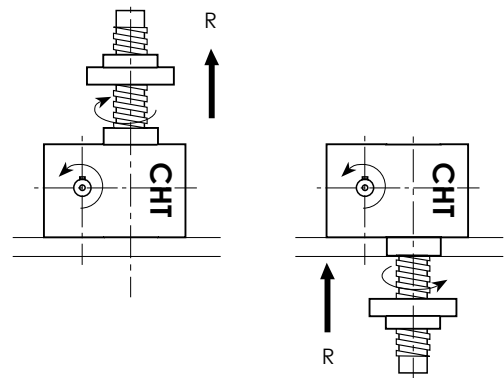
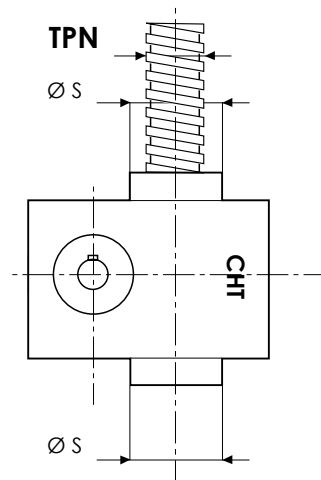
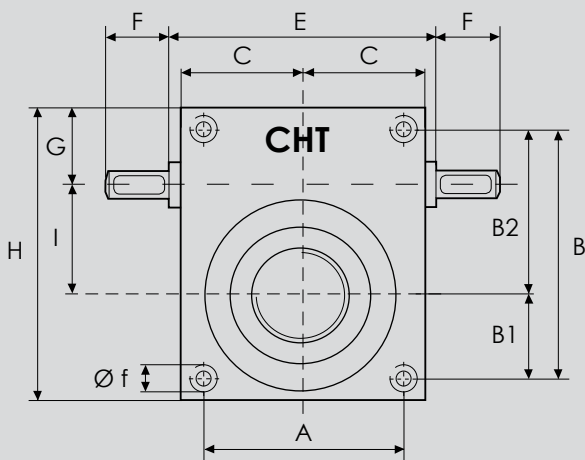




# SERIES CHS 7 RS · ROTATING SCREW



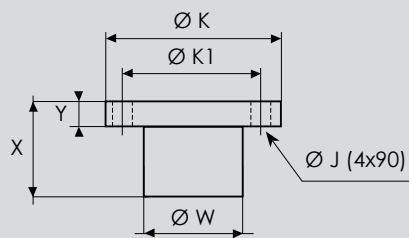
L = CORSA



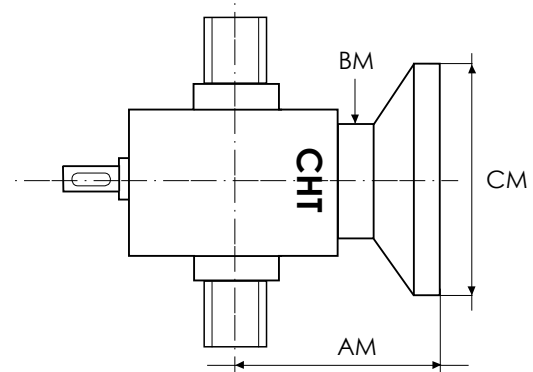
## ROTATING SCREW

## MOTOR ADAPTOR

### BRONZE NUT

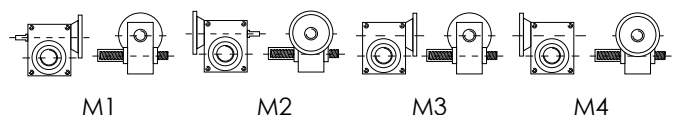


	X	Y	ØW	ØK	ØK1	ØJ
CHS7	105	30	100	180	140	18



MOTOR	FLANGE TYPE	CM	AM	BM
GR. 90	B5	200		
GR. 100/112	B5	250	200	130
	B14	160		
GR. 132	B5	300		
	B14	200		

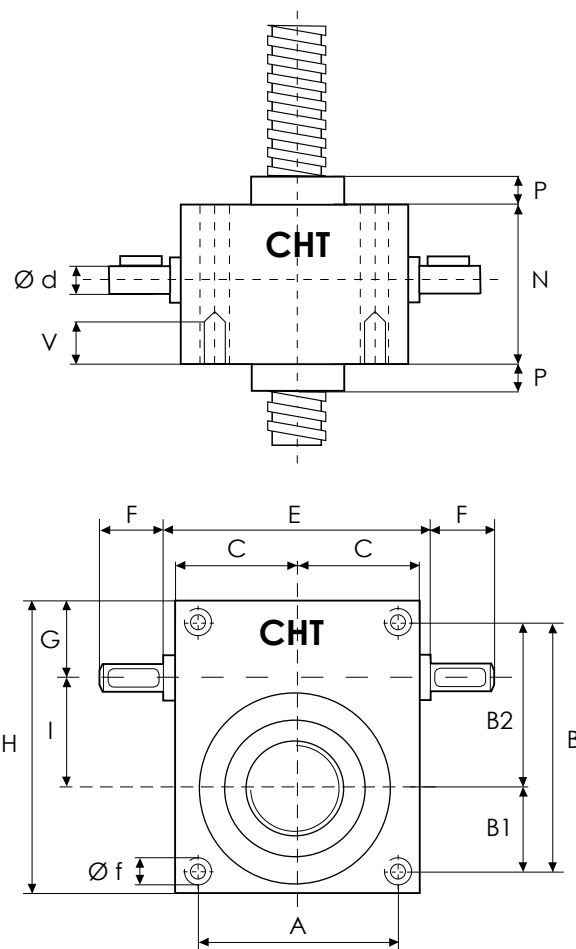
### CONFIGURATION





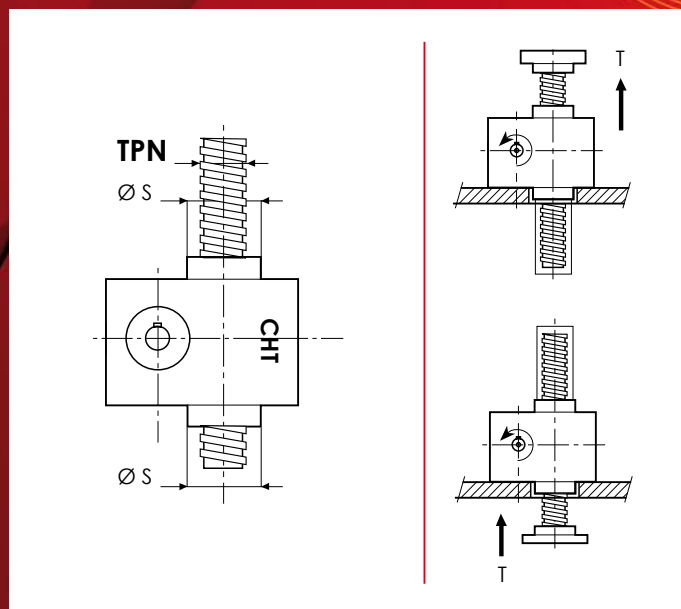
# SERIES CHS 8 TS · TRANSLATING SCREW

SCREW JACK MODEL		CHS 8
LOAD	daN (Kg)	25000
TPN SCREW	DIAMETER mm	80
	PITCH mm	10
GEAR RATIOS	FAST SPEED	5:1
	NORMAL SPEED	10:1
	SLOW SPEED	30:1
STROKE FOR INPUT REV. mm	FAST SPEED	2
	NORMAL SPEED	1
	SLOW SPEED	0,33
EFFICIENCY	FAST SPEED	18,5%
	NORMAL SPEED	17,5%
	SLOW SPEED	16%
JACK WEIGHT (Kg)		54
SCREW WEIGHT TPN X 100 mm (Kg)		3,2
CASE MATERIAL		G25
GREASE QTY (Kg)		1,5
GREASE TYPE	AGIP GR MU EP2	
OPERATING TEMPERATURE	-5° C +80° C	

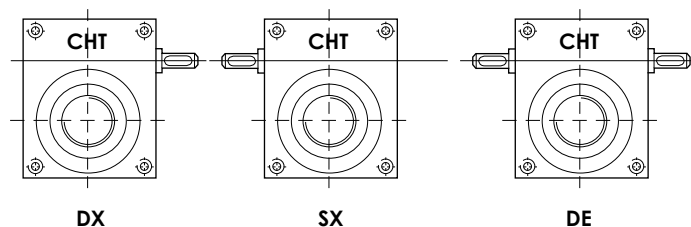


## TRANSLATING SCREW

SERIES CHS 8 TS - 25000 daN · TPN 80x10



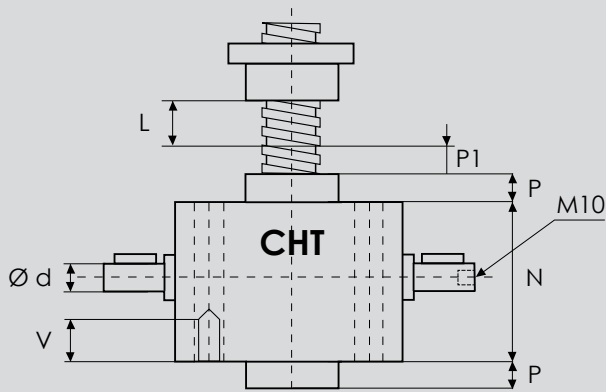
	A	B	B1	B2	C	E	F	G	H
CHS8	180	230	90	140	116	-	60	76	282
	I	N	P	P1	V	$\varnothing d$	$\varnothing f$	$\varnothing s$	TPN
CHS8	90	176	40	30	45	30	M30	120	80x10



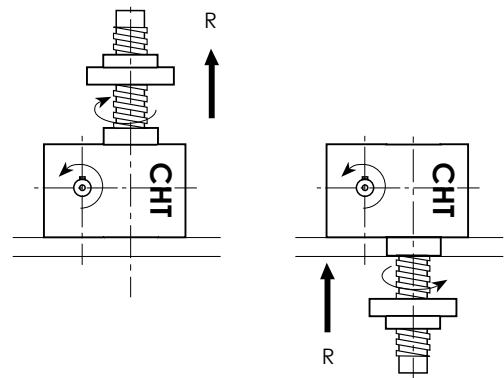
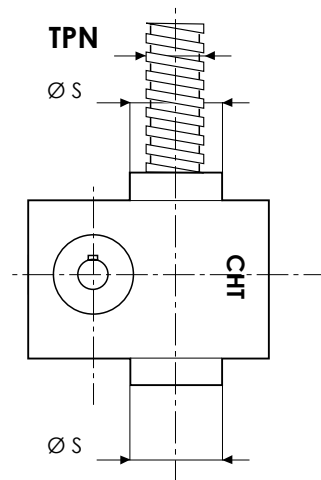
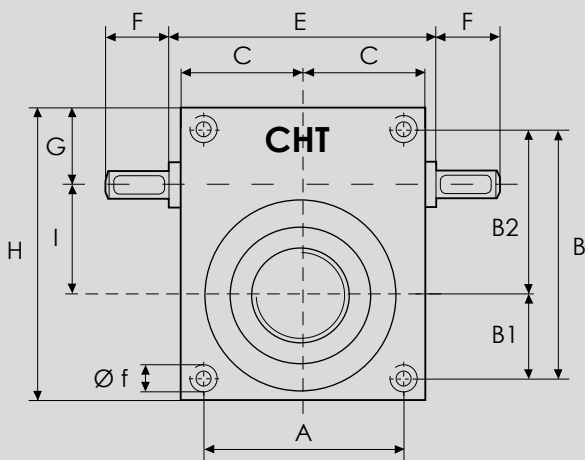




# SERIES CHS 8 RS · ROTATING SCREW



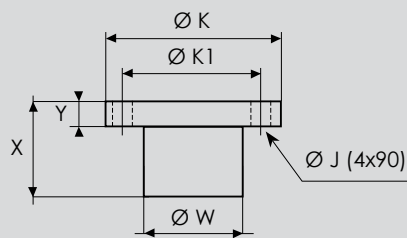
L = CORSA



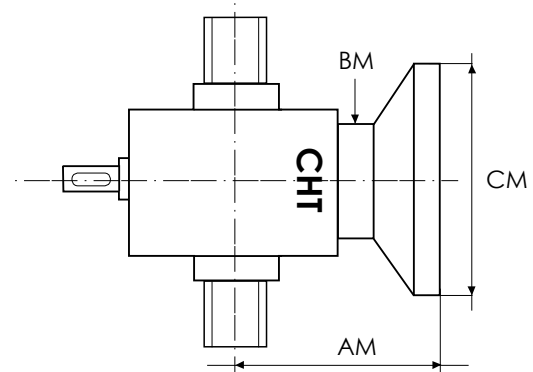
## ROTATING SCREW

## MOTOR ADAPTOR

### BRONZE NUT

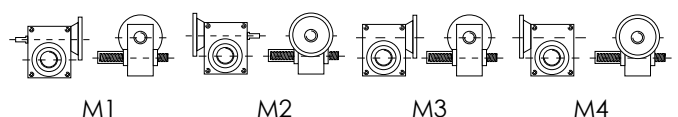


	X	Y	ØW	ØK	ØK1	ØJ
CHS8	110	30	110	190	150	18



MOTOR	FLANGE TYPE	CM	AM	BM
GR. 90	B5	200		
GR. 100/112	B5	250	200	130
	B14	160		
GR. 132	B5	300		
	B14	200		

### CONFIGURATION





CHIARAVALLI Cz a.s.  
Průmyslová 2083  
59401 Velké Meziříčí  
Česká republika  
Tel. +420 566 502 030  
[www.chiaravalli.cz](http://www.chiaravalli.cz)



CHIARAVALLI POLSKA Sp. z o.o.  
ul. Polna 133  
87 - 100 Toruń  
Polska  
Tel. + 48 56 623 30 00  
[www.chiaravalli.pl](http://www.chiaravalli.pl)



Via per Cedrate, 476  
21044 Cavarina con Premezzo (VA) · Italy  
Tel. +39 0331 214 511  
Fax +39 0331 218 175

[www.chiaravalli.com](http://www.chiaravalli.com)  
[chiaravalli@chiaravalli.com](mailto:chiaravalli@chiaravalli.com)



Satellite position coordinates N 45° 41.394 · E8° 48.726